

4Matic®

4MHOD SERIES SINGLE PHASE Quarter Turn Electrical Actuator

KEY FEATURES

SUPPLY VOLTAGE

220 V AC - (+10%), 50/60 Hz

110 V AC, 24 V DC

ENCLOSURE - IP 67/68

Weatherproof - IS / IEC 60529

TORQUE RANGE

35 Nm to 180 Nm

VARIOUS OPTIONS

ON / OFF Type

Auxiliary Limit Switches (2 Units)

2 Wire System for ON / OFF Operation



4MHOD



4MHOD K3

MANUFACTURING STANDARDS

Actuator Manufacturing Standard

IEC / EN 15714 – 2 (Electrical Actuator for Industrial Valves)

Actuator Enclosure Standard - IP 67 | 68

IS / IEC 60529 – 2009

(Degree of Protection provided by Enclosure)

Actuator Motor Standard

IEC- 60034 – 1 (Rotating Electrical Machines)

IS-996 (Single Phase Induction Motor)

Actuator Mounting Standard

ISO 5211

APPLICABLE DIRECTIVES

- EC Machinery Directive - 2006 / 42 / EC
- Low Voltage Directive - 2006 / 95 / EC
- EMC Directive - 2004 / 105 / EEC

APPLICATIONS

- Water Treatment
- Municipal Water Supply Board
- Petroleum
- Chemical Industry
- Power Plant
- Metallurgy
- Pharmacy
- Paper Industry
- Textile
- Food Processing Automation etc...



www.4maticvalves.com



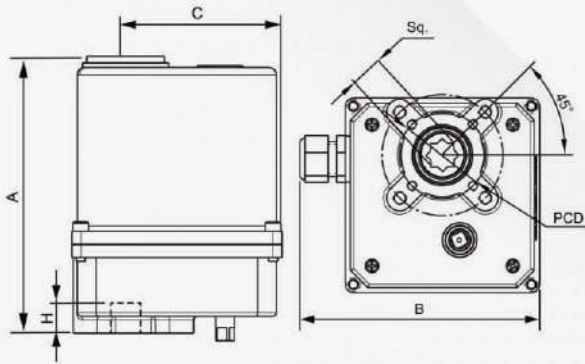
info@4maticvalves.com

TECHNICAL DATASHEET

STANDARD SPECIFICATIONS

Model No.	Max Torque NM	Motor Watt	Rotation time Second / 90°	220V AC Motor Current			Weight Kg. (Approx)	Manual Override
				RUN (A)	START (A) at 30ms	LOCK ROTOR (A)		
4MHOD-1	35	10	11	0.3	0.3	0.45	2.0	Key Wrench (to Operate by 8mm Spanner)
4MHOD-2	50	15	11	0.5	0.5	0.75	2.0	
4MHOD-K3	110	40	8	0.5	0.5	0.75	4.7	
4MHOD-K3-1	180	40	8	0.5	0.5	0.75	4.7	

DIMENSION DETAILS



(All Dimensions are in MM)

Model No.	A	B	C	Sq.	H	PCD
4MHOD-1	148	140	79	11x11 / 14x14	17	50 / 70
4MHOD-2	148	140	79	11x11 / 14x14	17	50 / 70
4MHOD-K3	180	197	105	17x17	23	70
4MHOD-K3-1	180	197	105	17x17	23	70

Note : Specifications mentioned here are subject to revision without notice due to continuous product improvements.

MOTORIZED VALVES



Motorized Ball Valve
Screwed End



Motorized Ball Valve
Flanged End



Motorized Butterfly Valve



Motorized UPVC Ball Valve
Socket End



Motorized UPVC Butterfly Valve



609 - 0055 6D - 1590



www.4maticvalves.com



info@4maticvalves.com